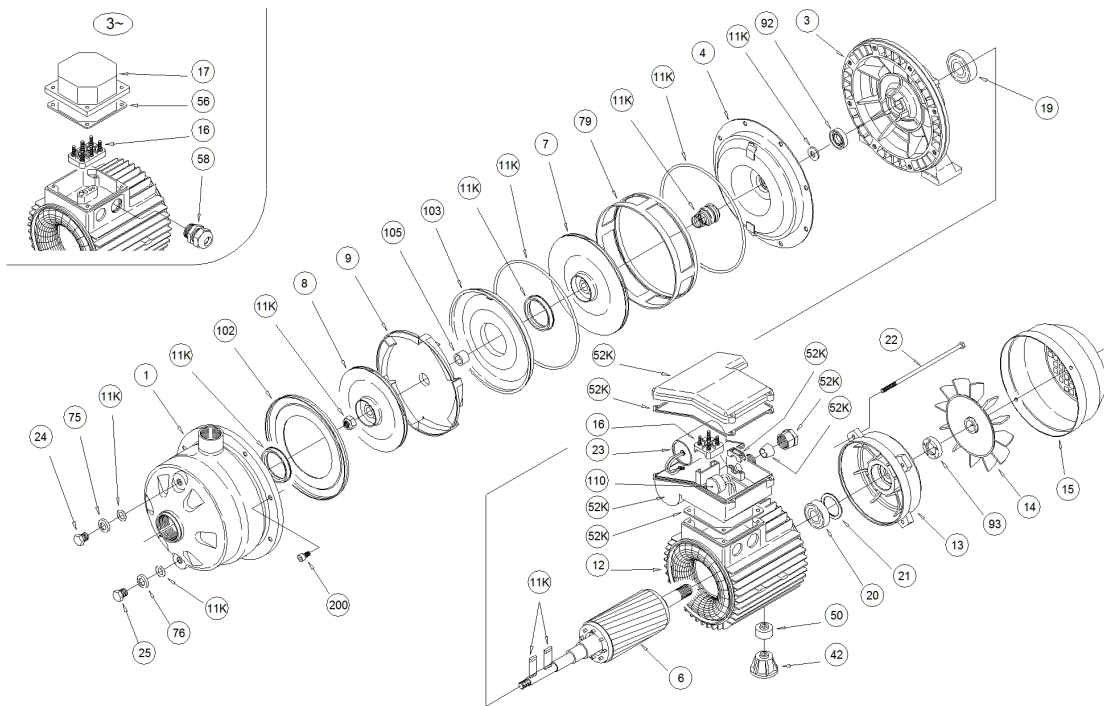


1621200004I-2CDX/I 120/20 IE3



1621200004I-2CDX/I 120/20 IE3

Position	Code	Description	Note	Qty
1	251420694	CASING		1
4	251402069	CASING COVER		1
102	251424008	SUCTION COVER		1
3	240280546	MOTOR BRAKET		1
105	374434027	SPACER		1
9	251435024	DIFFUSER		1
11K	364500006	MECHANICAL SEAL KIT		1
6	275312857	SHAFT		1
7	251450004	IMPELLER		1
16	365950326	TERMINAL		1
200	369600023	SCREW		8
8	251450003	IMPELLER		1
12	277930236I	MOTOR		1
24	375192107	PLUG		1
25	375192107	PLUG		1
56	364700811	GASKET		1
75	367667000	WASHER		1
13	230225090	MOTOR COVER		1
76	367667000	WASHER		1
14	369950000	FAN		1
92	360991522	SEAL RING		1
15	362250080	FAN COVER		1
103	251402066	CONVEYOR COVER		1
17	363232008	TERMINAL BOX		1
19	360326212	BEARING		1
20	360326210	BEARING		1
21	360600040	ADJUSTING RING		1
22	369393018	TIE ROD		4
42	371415015	FOOT		1
58	376565024	CABLE ENTRY		1
79	251434144	SPACER		1