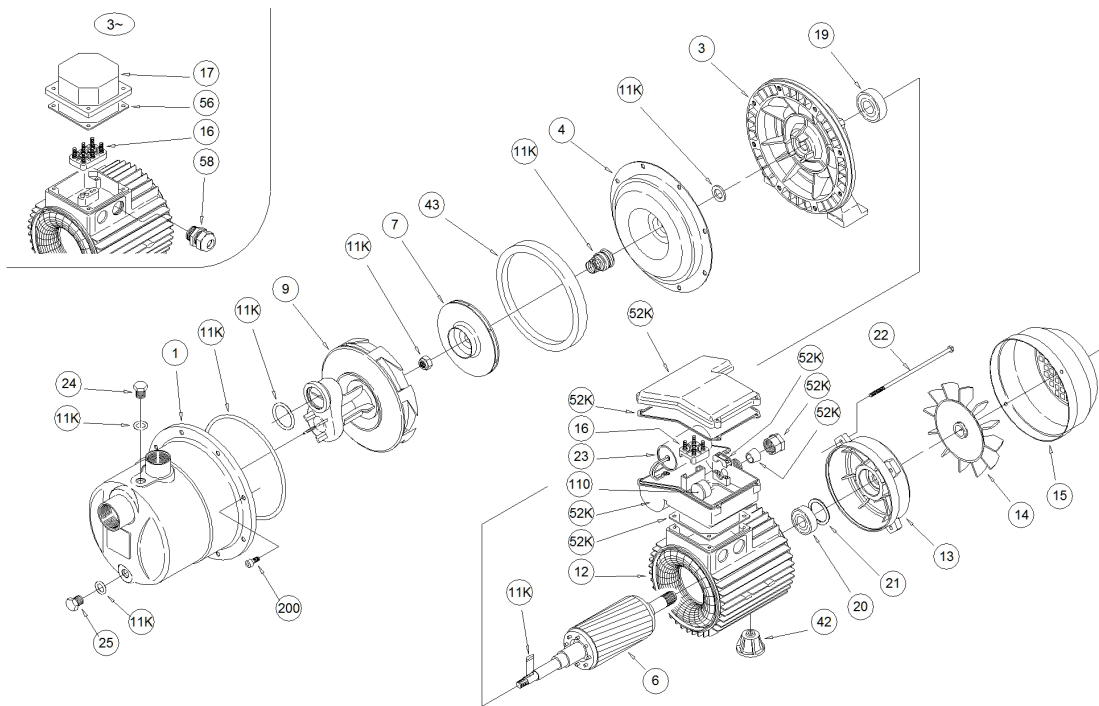


166507000B-JEXM/B 150



1665070000B-JEXM/B 150

Position	Code	Description	Note	Qty
1	251420682	CASING		1
3	240280546	MOTOR BRAKET		1
4	251438005	CASING COVER		1
7	251450707	IMPELLER		1
9	342535021	DIFFUSER		1
11K	364500014	MECHANICAL SEAL KIT		1
15	362250080	FAN COVER		1
21	360600040	ADJUSTING RING		1
22	369305148	TIE ROD		4
24	375192002	PLUG		1
25	375192002	PLUG		1
42	371415015	FOOT		1
43	342535010	SPACER		1
56	364700811	GASKET		1
110	369450503	PROTECTOR		1
16	365940254	TERMINAL BOARD		1
200	369600023	SCREW		8
23	361410035	CAPACITOR		1
52K	352665059	TERMINAL BOX KIT		1
58	363201201			1
13	230225072	MOTOR COVER		1
6	275412635	SHAFT		1
12	277930015	MOTOR FRAME		1
20	360306210	BEARING		1
19	360306212	BEARING		1
14	369950008	FAN		1