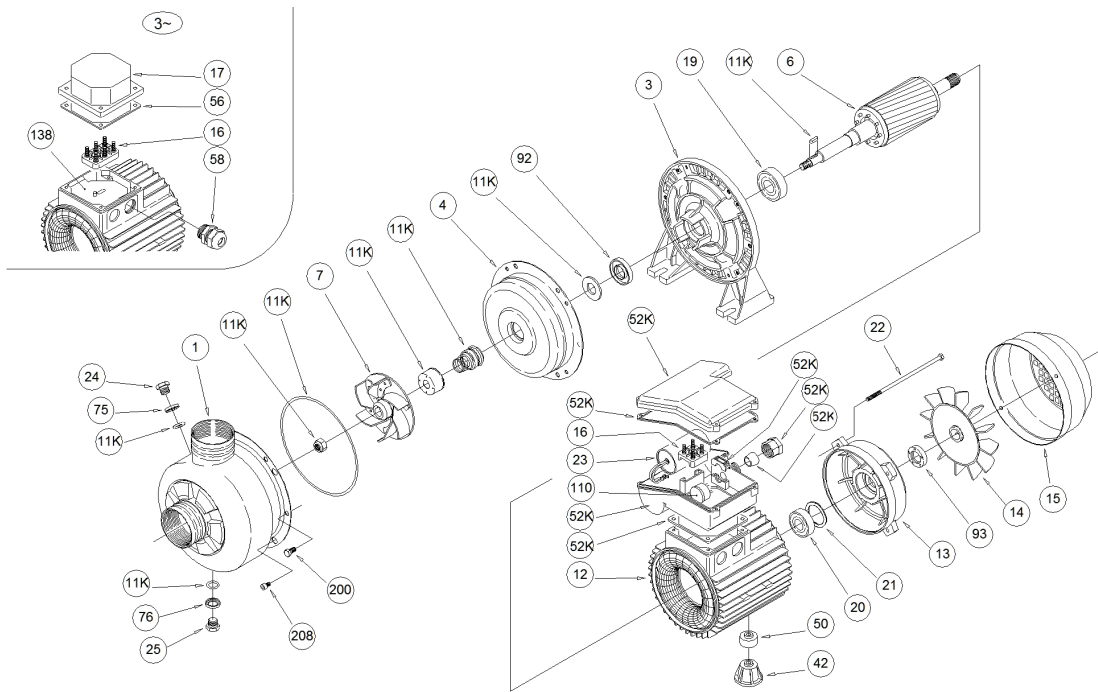


1579080000-DWO 200M



1579080000-DWO 200M

Position	Code	Description	Note	Qty
1	251420992	CASING		1
3	240280596	MOTOR BRAKET		1
4	251438027	CASING COVER		1
7	251450977	IMPELLER		1
11K	364500018	MECHANICAL SEAL KIT		1
15	362250080	FAN COVER		1
21	360600040	ADJUSTING RING		1
24	375192105	PLUG		1
25	375192105	PLUG		1
42	371415015	FOOT		1
50	371472028	SPACER		1
56	364700811	GASKET		1
75	360676006	WASHER		1
76	360676006	WASHER		1
92	360991540	LIP SEAL		1
16	365940254	TERMINAL BOARD		1
200	369600056	SCREW		6
52K	352665059	TERMINAL BOX KIT		1
14	369950008	FAN		1
19	360306212	BEARING		1
20	360306210	BEARING		1
23	361410040	CAPACITOR		1
110	369450504	PROTECTOR		1
12	277930234	MOTOR		1
13	230225089	MOTOR COVER		1
22	369305161	TIE ROD		4
6	275412238	SHAFT		1
208	369644001	SCREW		4